

VANTEC SERIES



VANTEC-215A

DAS Audio Group, S.L. - C/ Islas Baleares 24 - 46988
Fuente del Jarro - Valencia - Spain - Tel. +34961340860
Updated (DD/MM/YYYY): 02/07/2025



SOUND WITH SOUL

KEY FEATURES

- Twin 15" powered 3-way system
- Increased output capacity
- Ultra lightweight Class D amplifier with SMPS
- User definable 24-bit DSP with LCD screen
- Presets: Live, Dance, Vocals, Bass Boost, Vocals & Mode
- Stackable 3-band EQ
- High-Definition wireless streaming of music in stereo
- Rigging points

DESCRIPTION

The VANTEC-215A is equipped with twin 15FV4 woofers for applications requiring higher SPL overall and a more powerful bass response, such as mobile DJ's, live performances or any type of Event-that needs the added punch.

The three channel amplifier offers 2250 W_{peak} and operates in a "dual-band" configuration where each loudspeaker operates in a specific frequency range. The impressively small size and light weight of the electronics package makes the VANTEC Series amps one of the worlds lightest.

Digital Finite Impulse Response (FIR) filters are used in the signal processing of the powered VANTEC systems. User configurable voicing, filters, EQ modes, and gain control are achieved by way of a rotary-knob interface and LCD screen on the rear of the cabinet. The Vantec-series allows users to wirelessly stream music from mobiles devices.

VANTEC-215A

DAS Audio Group, S.L. - C/ Islas Baleares 24 - 46988
Fuente del Jarro - Valencia - Spain - Tel. +34961340860
Updated (DD/MM/YYYY): 02/07/2025



SOUND WITH SOUL

SPECIFICATIONS

Performance

Frequency Range (-10 dB)	40 Hz - 20 kHz
Horizontal Coverage (-6 dB)	90°
Vertical Coverage	50°
Maximum Peak SPL at 1 m	138 dB

Electronics and Connectors

Nominal Amplifier Power (continuous)	1125 W
Nominal Amplifier Power (peak)	2250 W
Input Type	Balanced
Input Impedance	20 kohms
Input Sensitivity	3 V (+12 dBu)
Audio Signal Input Connector	2 x Female XLR
AUX Input	1 x 3.5 mm Mini Jack
Audio Signal Loop Thru Connector	1 x Male XLR
Current Draw 230 V / 115 V	1.5 A/3.0 A

Enclosure

Enclosure Construction	Birch Plywood
Enclosure Geometry	Trapezoidal
Rigging	M10 Rigging Points
Finish	ISO-flex Paint
Color	Black

VANTEC-215A

DAS Audio Group, S.L. - C/ Islas Baleares 24 - 46988
Fuente del Jarro - Valencia - Spain - Tel. +34961340860
Updated (DD/MM/YYYY): 02/07/2025



SOUND WITH SOUL

Dimensions (H x W x D) 1.090 x 445 x 505 mm
42,9 x 17,5 x 19,9 in

Net Weight 43,5 kg (95,9 lb)

Components

LF Driver 15FV4

HF Driver M-28

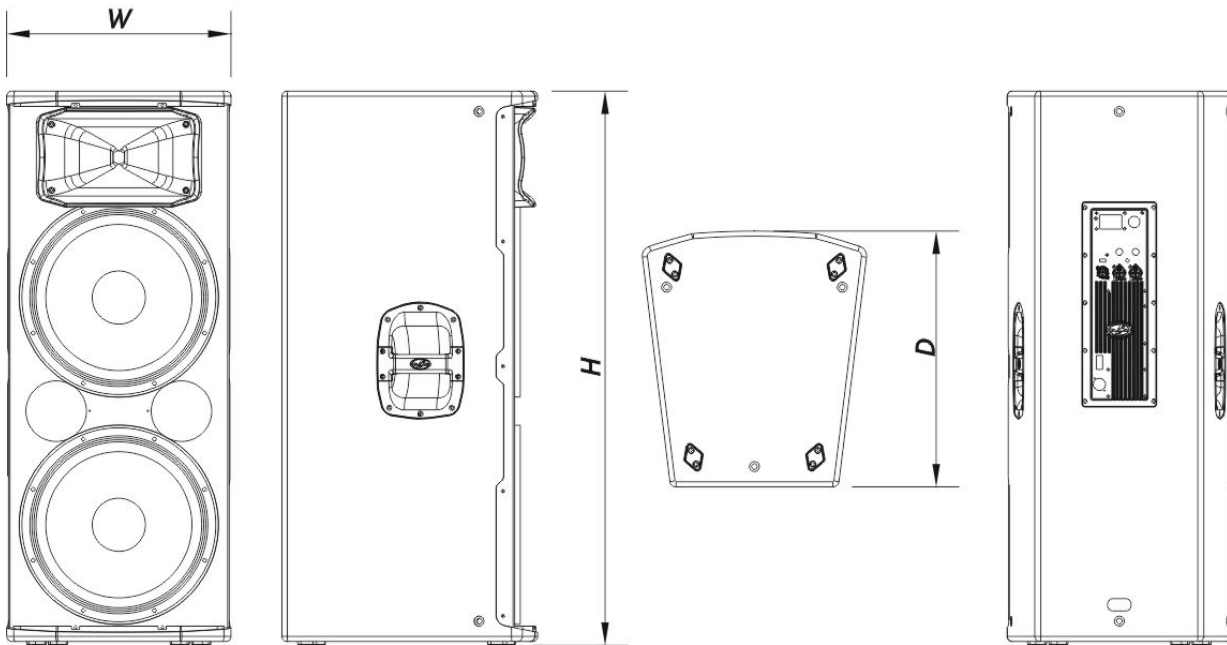
Horn/Waveguide BC-95

Shipping

Carton Dimensions (H x W x D) 1.195 x 536 x 581 mm
47,1 x 21,1 x 22,9 in

Shipping Weight 47,5 kg (104,7 lb)

DIMENSIONS



VANTEC-215A

DAS Audio Group, S.L. - C/ Islas Baleares 24 - 46988
Fuente del Jarro - Valencia - Spain - Tel. +34961340860
Updated (DD/MM/YYYY): 02/07/2025



SOUND WITH SOUL

ORDERING INFORMATION

Model	Description	P/N
System		
VANTEC-215A		10431010
Replacement Parts		
15FV4	Transducer	20208910
BC-95	Horn	30006213
DSP-VANTEC-215A	Dsp	20406430
GM-15FV4	Recone Kit	20208510
M-28	Compression Driver	20208800
MP-VANTEC-215A	Power Module	30006240
S-PRO2	Amplifier	20406649
Accessories		
ANL-2	Rigging Accessories	10101020
FUN-VT215	Transport Accessories	10103730

VANTEC-215A

DAS Audio Group, S.L. - C/ Islas Baleares 24 - 46988
Fuente del Jarro - Valencia - Spain - Tel. +34961340860
Updated (DD/MM/YYYY): 02/07/2025



SOUND WITH SOUL